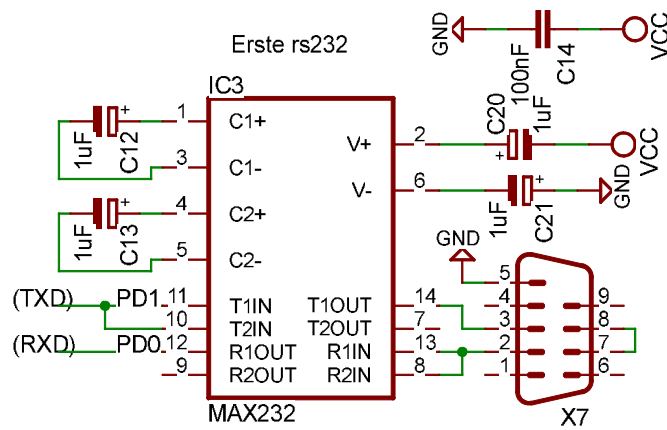
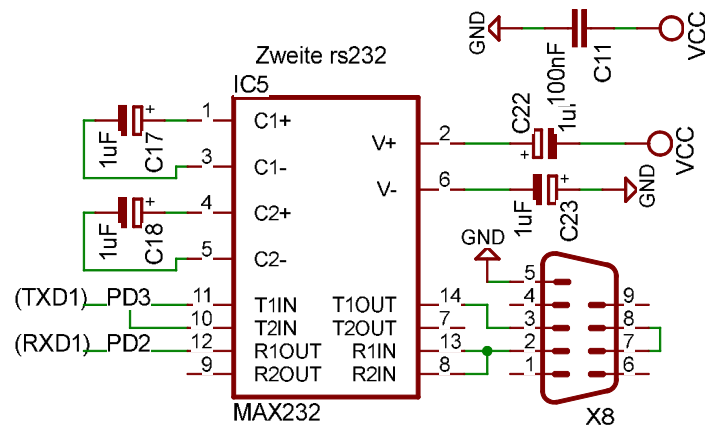
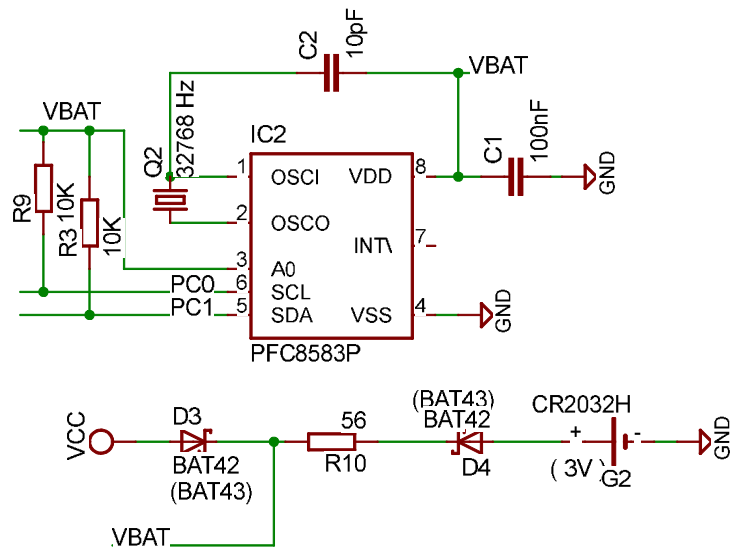
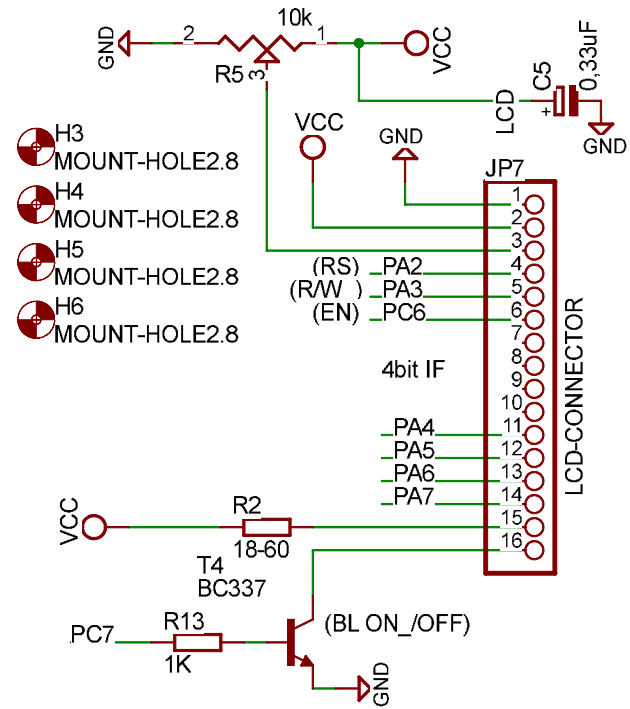


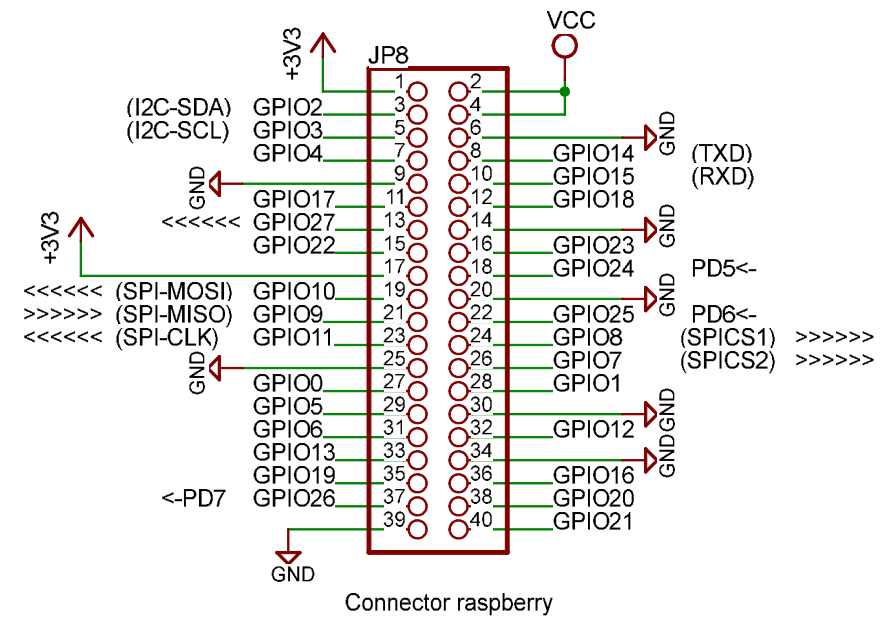
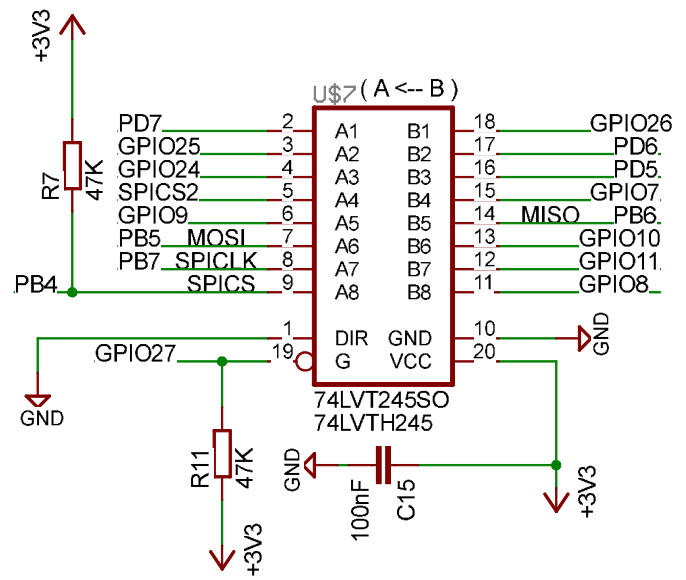
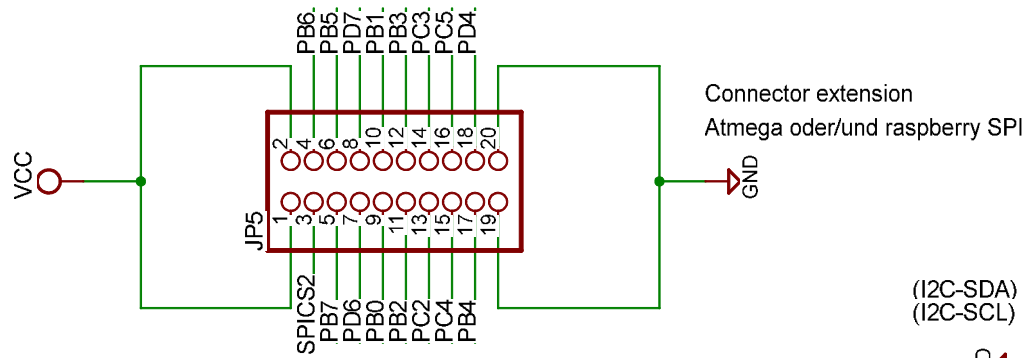
- PA0 ADC0 KEY1..8
- PA1 ADC1 KEY9..16
- PA2 LCD RS
- PA3 LCD RW
- PA4-PA7 LCD D0-D3
- PB4..PB7 SPI (SLAVE for raspberry)
- PC0..PC1 I2C Realtimelock
- PC6 LCD EN
- PC7 LCD BACKLIGHT
- PD5 Output to RASP (INT)
- PD6 Output to RASP (READY)
- PD7 Input from RASP (START-STOP)

(TXD1 Mega324P)
(RXD1 Mega324P)
TXD
RXD









MAX 3232 CPE :: RS232, DIP-16

z.B. Reichelt
Artikel-Nr.: MAX 3232 CPE

